



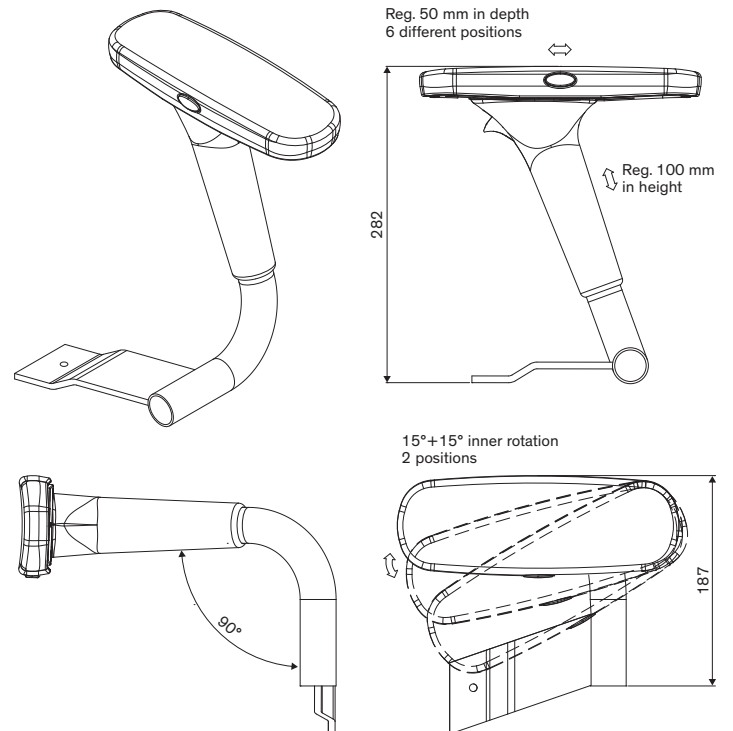
The company reserves the right to carry out any eventual partial or complete changes to its products without giving previous notice.

3D armrest

— Multiposition armrest in rounded tube, bended 100°.

- Height adjustment 100 mm;
- Arm pad movement in 5 different positions (total translation 50 mm);
- Internal rotation of 30°, with two different positions (15°+15°).

Technical drawing



Packaging reference

pcs x box	20
pcs x pallet	60
gross weight	260 kg
volume	1,92 m ³

Dimensions

