



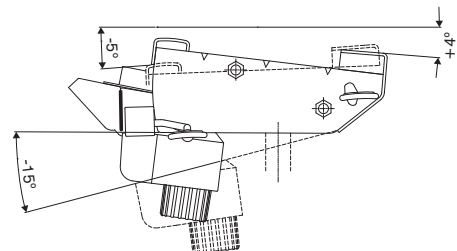
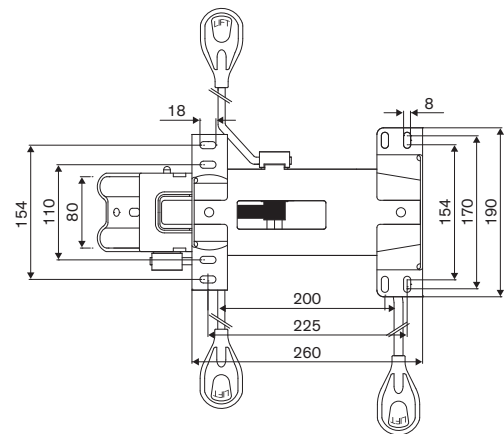
The company reserves the right to carry out any eventual partial or complete changes to its products without giving previous notice.

**Asynchron mechanism**

— Asynchron control with forward pivot, with 15° inclination of the back and 9° (+4° ÷ -5°) of the seat. Two groups of clutches make it possible that the back and the seat are completely independent of each other.

Leaving the clutch open, the back becomes permanent contact. The seat clutch allows it to be locked in any position. The tension of the back can be regulated according to the user's weight by turning the knob located underneath the mechanism.

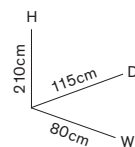
**Technical drawing**



**Packaging reference**

pcs x box	36
pcs x pallet	108
gross weight	668 kg
volume	1,93 m <sup>3</sup>

**Dimensions**



L.I.M.A. snc

Via dell'Industria, 7  
35010  
Trebaseghe (PD)  
Italy

T (+39) 049 9387742  
www.limaitaly.it  
info@limaitaly.it