

The company reserves the right to carry out any eventual partial or complete changes to its products without giving previous notice.

**A-SYNCHRO mechanism**

— A-SYNCHRO mechanism with max. 20° inclination (+5° ÷ -15°) of the backrest and 20° inclination (+10° ÷ -10°) of the seat. The tension of the backrest can be adjusted according to the user's weight by turning the side handle.

Both the seat and the backrest are equipped with an anti-shock system, which allows the backrest and the seat to be easily locked in 5 different positions.

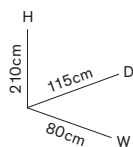
**Free seat position**



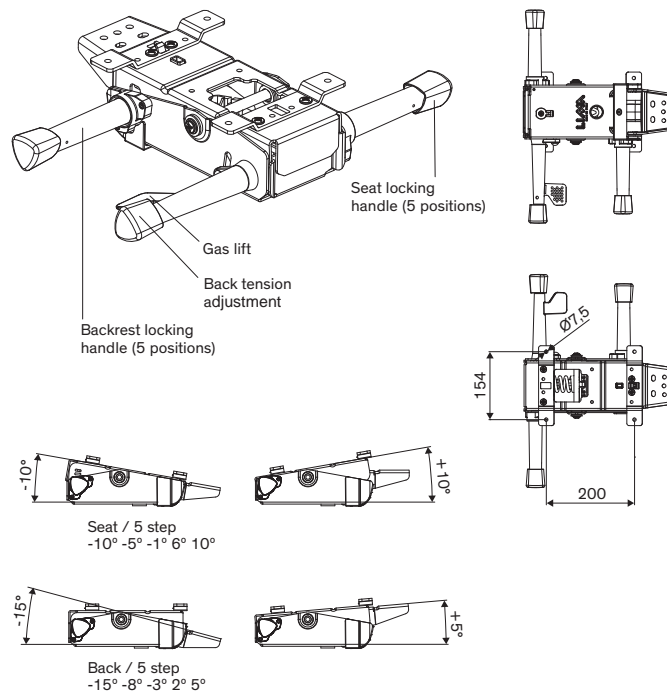
**Packaging reference**

pcs x box	24
pcs x pallet	96
gross weight	600 kg
volume	1,93 m <sup>3</sup>

**Dimensions**



**Technical drawing**



L.I.M.A. snc

Via dell'Industria, 7  
35010  
Trebaseleghe (PD)  
Italy

T (+39) 049 9387742  
www.limaitaly.it  
info@limaitaly.it