

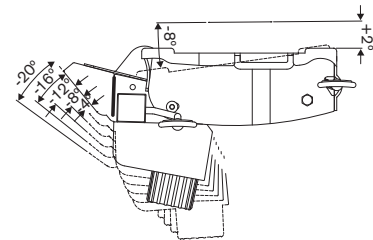
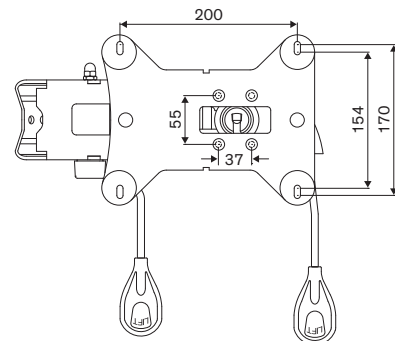


The company reserves the right to carry out any eventual partial or complete changes to its products without giving previous notice.

Synchronized mechanism

— Synchronised movement, with a ratio 2:1 and a 20° inclination of the back and 10° (+2° ÷ -8°) inclination of the seat. It is possible to lock the mechanism in 6 positions. The tension of the back can be regulated according to the user's weight by turning the knob located underneath the mechanism.

Technical drawing



Packaging reference

pcs x box	36
pcs x pallet	144
gross weight	780 kg
volume	1,98 m ³

Dimensions

