



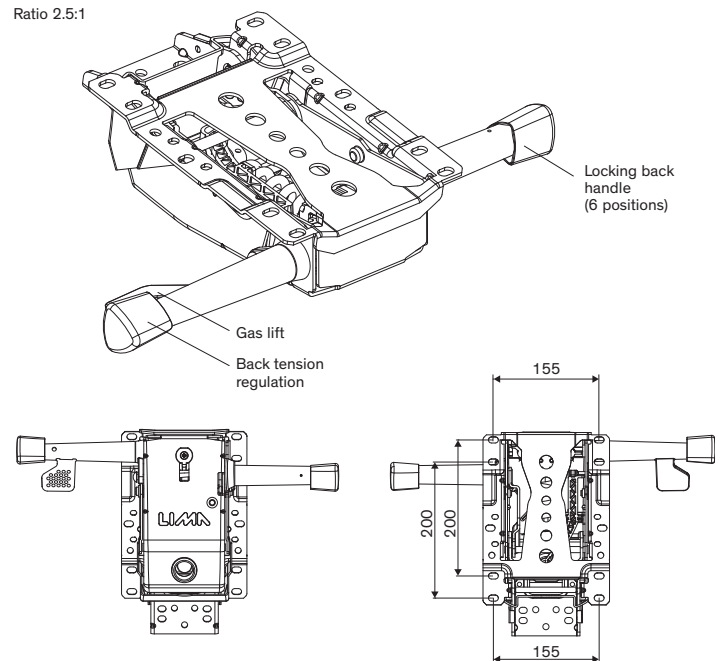
The company reserves the right to carry out any eventual partial or complete changes to its products without giving previous notice.

### Synchronized mechanism

— Synchronised control, with a ratio 2.5:1 and a  $-22.5^\circ$  inclination of the back and  $-9^\circ$  inclination of the seat. It is possible to lock the back in 6 different positions with anti-shock system. The tension of the back can be adjusted according to the user's weight by turning the easy approachable lateral handle. The total height is only 96 mm.

### Technical drawing

6-step back  
 $0^\circ - 4.5^\circ - 9^\circ - 13.5^\circ - 18^\circ - 22.5^\circ$   
Ratio 2.5:1



### Packaging reference

pcs x box	24
pcs x pallet	96
gross weight	500 kg
volume	1,98 m <sup>3</sup>

### Dimensions

