



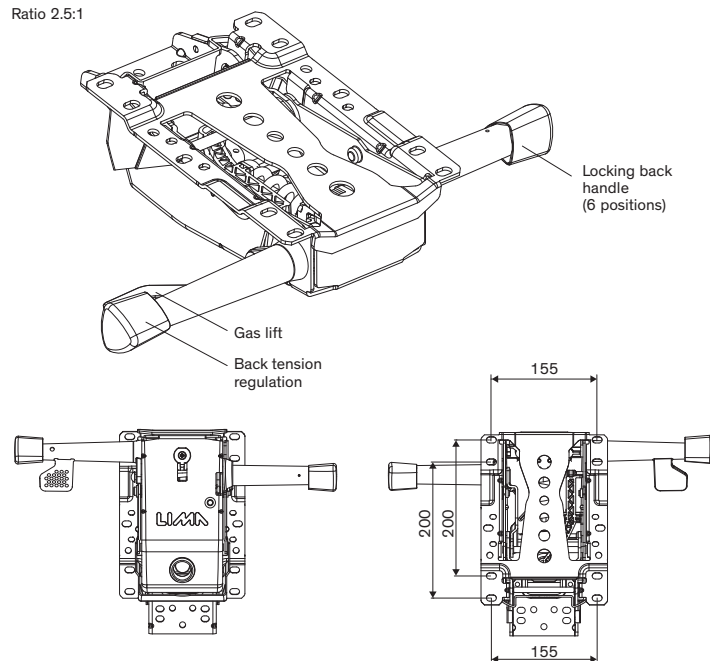
The company reserves the right to carry out any eventual partial or complete changes to its products without giving previous notice.

**Synchronized mechanism**

— Synchronised control, with a ratio 2.5:1 and a  $-22.5^\circ$  inclination of the back and  $-9^\circ$  inclination of the seat. It is possible to lock the back in 6 different positions with anti-shock system. The tension of the back can be adjusted according to the user's weight by turning the easy approachable lateral handle. The total height is only 96 mm.

**Technical drawing**

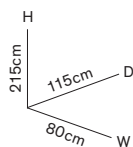
6-step back  
 $0^\circ - 4.5^\circ - 9^\circ - 13.5^\circ - 18^\circ - 22.5^\circ$   
 Ratio 2.5:1



**Packaging reference**

pcs x box	24
pcs x pallet	96
gross weight	500 kg
volume	1,98 m <sup>3</sup>

**Dimensions**



**L.I.M.A. snc**

Via dell'Industria, 7  
 35010  
 Trebaseleghe (PD)  
 Italy

T (+39) 049 9387742  
[www.limaitaly.it](http://www.limaitaly.it)  
[info@limaitaly.it](mailto:info@limaitaly.it)