

The company reserves the right to carry out any eventual partial or complete changes to its products without giving previous notice.

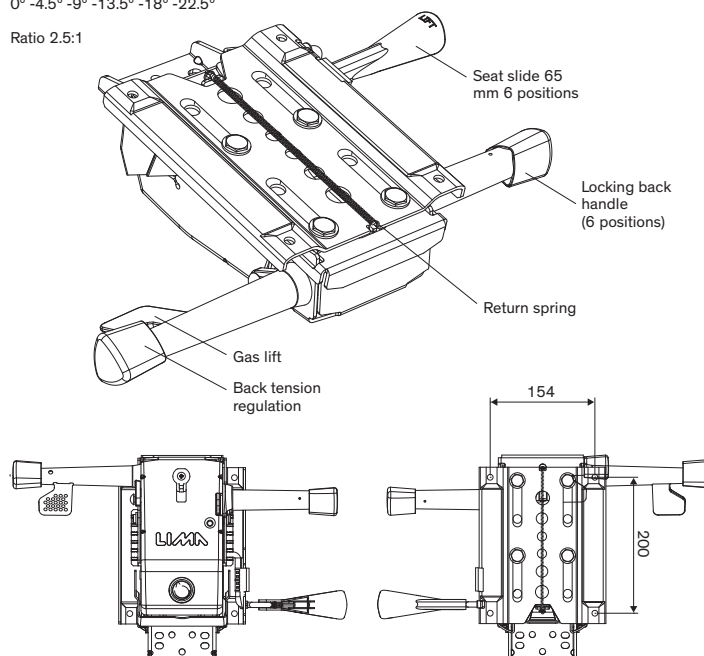
Synchronized mechanism

— Synchronised control with integrated seat slider and -22.5° inclination of the back and -9° of the seat. It is possible to lock the back in 6 different positions with anti-shock system. The tension of the back can be

adjusted according to the user's weight by turning the easy approachable lateral handle. The total height is only 105 mm. Moreover the integrated seat slider performs a total travel of 65mm which can be locked in 6 position.

Technical drawing

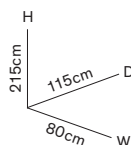
6-step back
 $0^\circ - 4.5^\circ - 9^\circ - 13.5^\circ - 18^\circ - 22.5^\circ$
Ratio 2.5:1



Packaging reference

pcs x box	24
pcs x pallet	96
gross weight	520 kg
volume	1,98 m ³

Dimensions



L.I.M.A. snc

Via dell'Industria, 7
35010
Trebaseleghe (PD)
Italy

T (+39) 049 9387742
www.limaitaly.it
info@limaitaly.it