

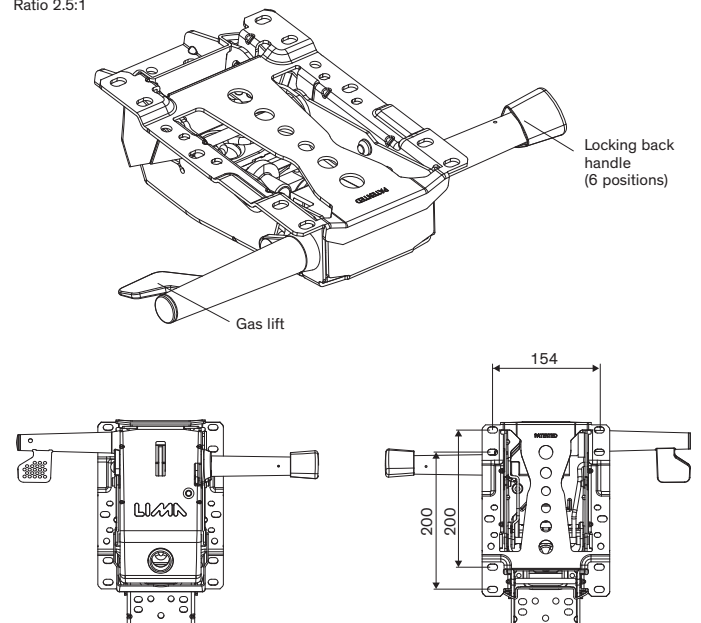
The company reserves the right to carry out any eventual partial or complete changes to its products without giving previous notice.

Synchronized mechanism

— Synchronised control, with a ratio 2.5:1 and a -22.5° inclination of the back and -9° inclination of the seat. It is possible to lock the back in 6 different positions with anti-shock system. The tension of the backrest is self adjusting according to the weight of the user. The total height is only 96 mm

Technical drawing

6-step back
 $0^\circ - 4.5^\circ - 9^\circ - 13.5^\circ - 18^\circ - 22.5^\circ$
Ratio 2.5:1



Packaging reference

pcs x box	24
pcs x pallet	96
gross weight	455 kg
volume	1,98 m ³

Dimensions

