



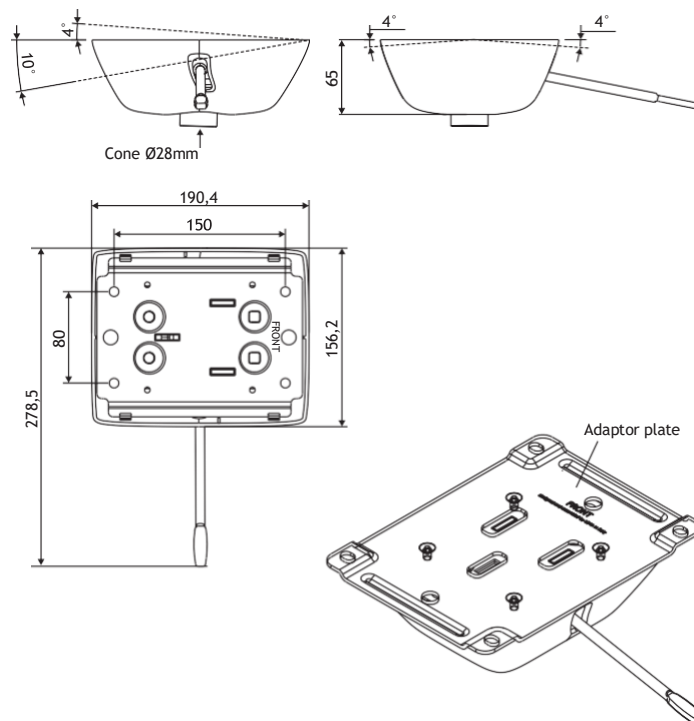
The company reserves the right to carry out any eventual partial or complete changes to its products without giving previous notice.

Tilt mechanism 3D ATTIVO 360°

___ 3D: 4° forward, 10° backward and 4° lateral movement.
Gas lift adjustment.

Options
1500065: adaptor plate (153x200 mm)
4 screws to assemble the adaptor plate

Technical drawing



Finishing

● black RAL 9005

○ white RAL 9003